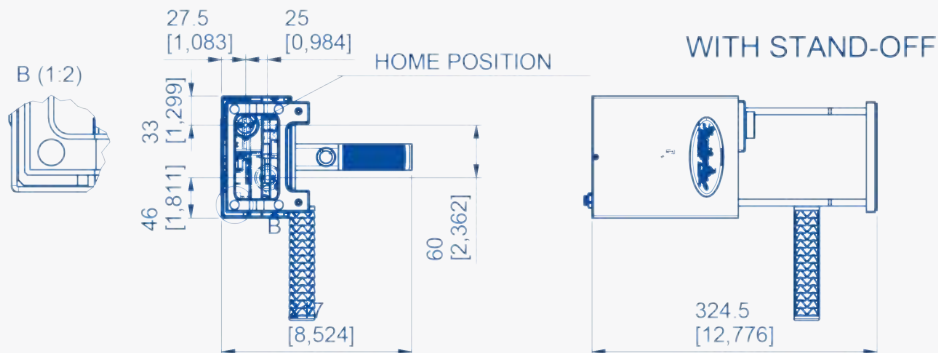
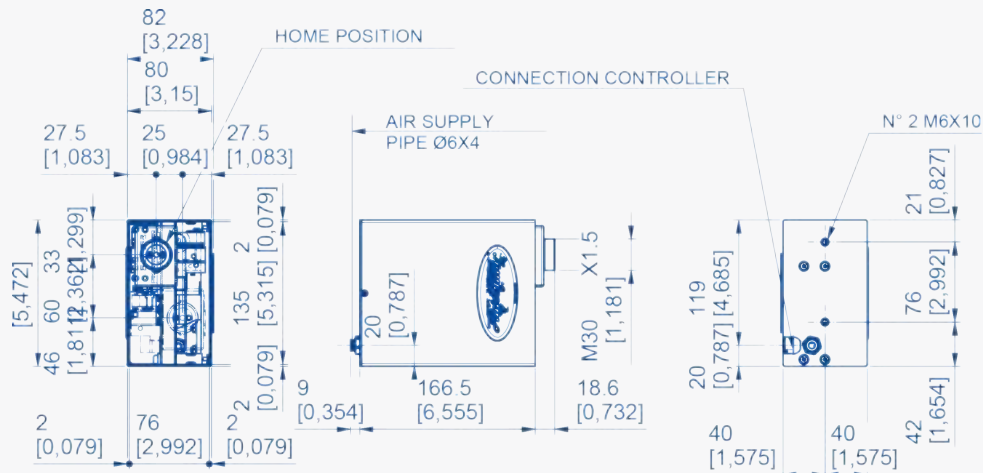
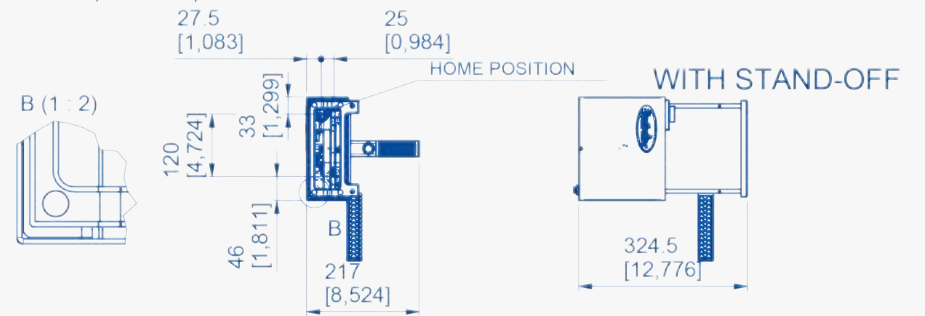
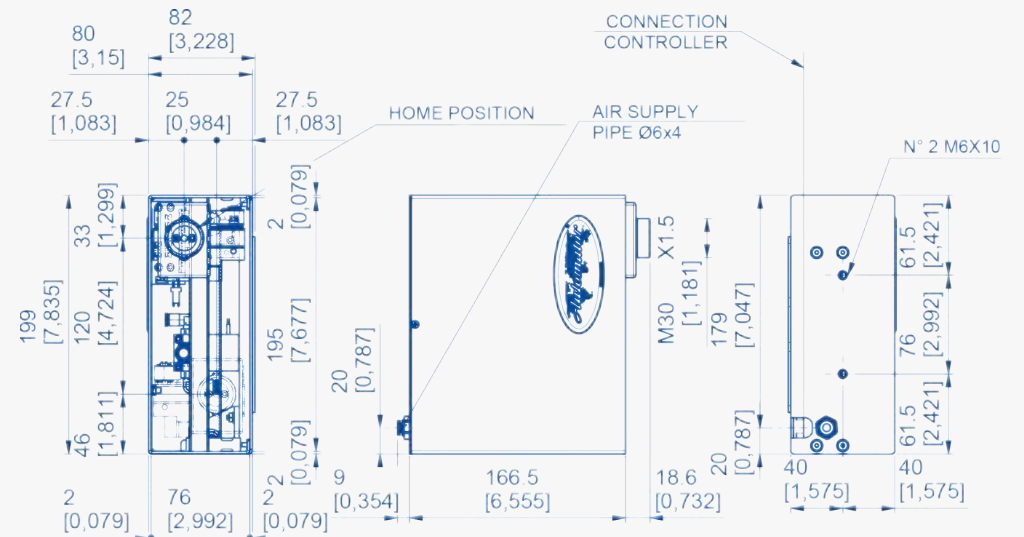


# Drawings

## ADP2560 ADP25120



ADP2560



ADP25120