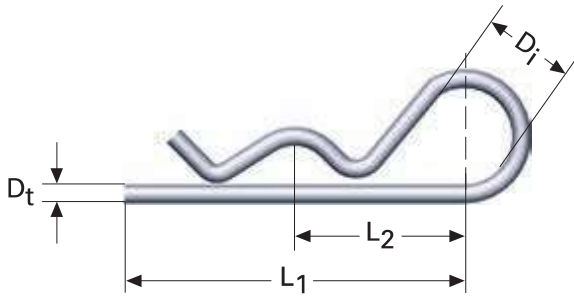


# PINS



# PINS

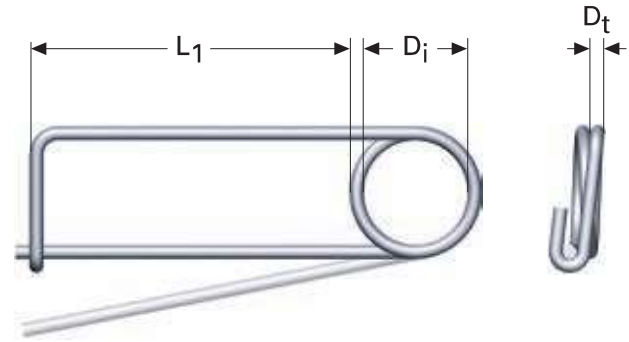
LPA, LPB, LPC, LPT



## LOCKING PIN LPA

Material: Spring steel EN 10270-1-SM  
Stainless steel EN 10270-3-1.4310

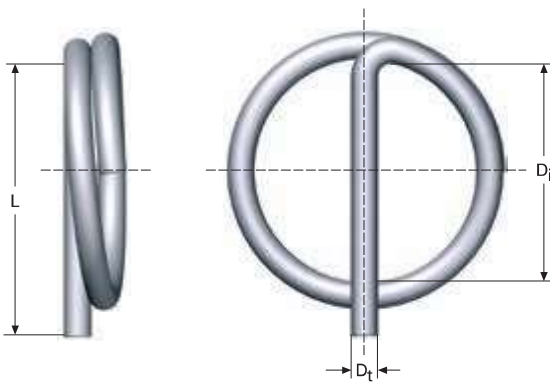
$D_t$	$D_i$	$L_1$	$L_2$	For shaft $\varnothing$	Drill hole	SS1774-04 Cat.no	SS2331-06 Cat.no
1,2	6	22	11	5-9	1,5		4220
1,5	8	28	14	7-11	2		4221
2	10	36	18	10-15	2,5	4216	4222
3	15	54	27	14-22	4	4217	4223
4	20	72	36	20-30	5	4218	4224
5	25	90	45	25-35	6	4219	



## LOCKING PIN LPB

Material: Spring steel EN 10270-1-SM  
Stainless steel EN 10270-3-1.4310

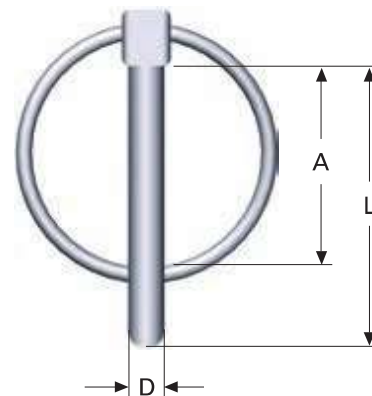
$D_t$	$D_i$	L	Drill hole	SS1774-04 Cat.no	SS2331-06 Cat. no
2	15	45	2,5	4226	4230
3	18	55	4	4227	4231
4	22	65	5	4228	
5	25	75	6	4229	



## LOCKING PIN LPC

For locking on shaft pin with hole.  
Material: Stainless steel EN 10270-3-1.4310

$D_t$	$D_i$	L	For shaft $\varnothing$	Cat. no
1	8,2	10	7-8	8635
1,2	10,3	12,5	9-10	8636
1,3	12,3	14,5	11-12	8637
1,4	14,4	17	13-14	8638
1,5	16,4	19	15-16	8639
1,7	18,5	22	16-18	8640
1,8	20,5	24	19-20	8641
1,9	22,6	26,5	21-22	8642
2	25,8	30	23-25	8643
2,5	31	36	26-30	8644



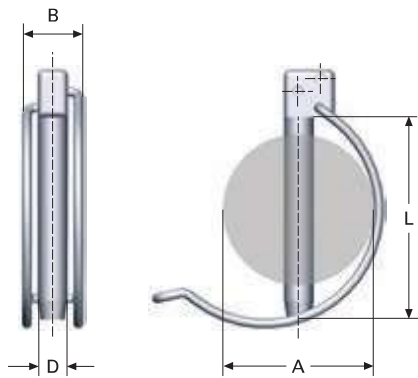
## LOCKING PIN LPT

Locking pin for shaft (tractor pin).  
Material: Spring steel EN 10270-1-SM  
Finish: Galvanised and yellow chromated

D	A	L	Cat.no
4,5	25	35	7602
6	32	45	7603
8	34	45	7604
9,5	34	45	7605
11	34	51	7606

# PINS

LSR, LSS, LST-S



## LOCKING PIN LSR

Locking pin for shafts and tubes compliant with DIN 11023.

All dimensions are in mm

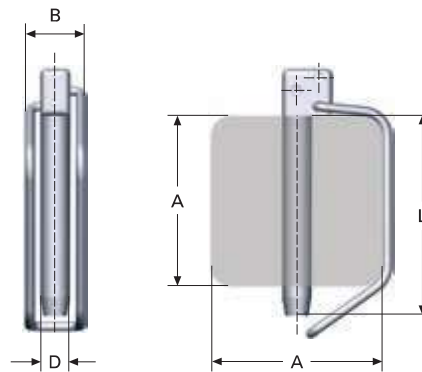
Shaft pin is teardrop shaped

A = Shaft dimension, maximum

Material: Spring steel EN 10270-1-SM

Finish: Galvanised and yellow chromated

D	A	L	B	Cat.no
4,7	∅ 30	32	14,5	8951
7,5	∅ 35	42	17,5	8952
10,5	∅ 40	45	17,5	8953
11,5	∅ 50	55	25,5	8954



## LOCKING PIN LSS

Locking pin for square tubes.

All dimensions are in mm

Shaft pin is teardrop shaped

A = Shaft dimension, maximum

Material: Spring steel EN 10270-1-SM

Finish: Galvanised and yellow chromated

D	A	L	B	Cat.no
9,5	40 x 40	55	16	8955
9,5	50 x 50	65	21	8956
11,5	60 x 60	75	23	8957

## LOCKING PIN LST-S

Locking pin for shaft (tractor pin) with integrated safety function. Function and spring opening force (80-120N) are checked on each locking pin.

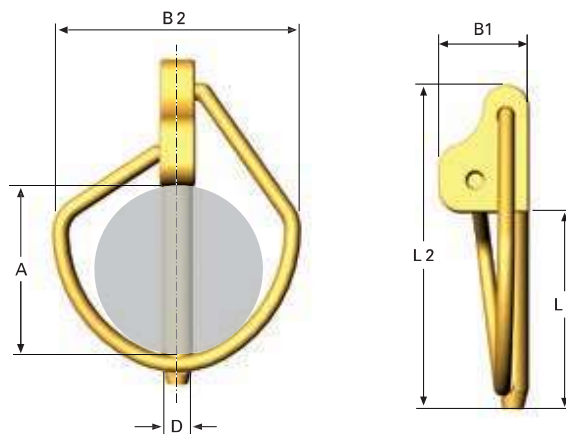
Shaft pin is teardrop shaped.

All dimensions are in mm

A = Shaft dimension, maximum

Material: Spring steel EN 10270-1-SM

Finish: Galvanised + yellow chromated (Cr6+ free)



D	A	L <sub>1</sub>	L <sub>2</sub>	B <sub>1</sub>	B <sub>2</sub>	Cat.no
3,8	20	24	39,5	11	30	8911
4,7	25	29	44,5	11	35	8912
5,8	20	24	39,5	11	30	8913
7,5	32	42	62	14	50	8914
9,5	32	45	66	14	50	8915
9,5	45	55	77	15	59	8916
10,5	32	45	66	14	50	8917
10,5	45	55	77	15	59	8918
11,5	32	45	66	14	50	8919
11,5	45	55	77	15	59	8920
11,5	60	75	96	22	77	8921
15,5	45	60	84	18	59	8922
15,5	60	75	96	22	77	8923