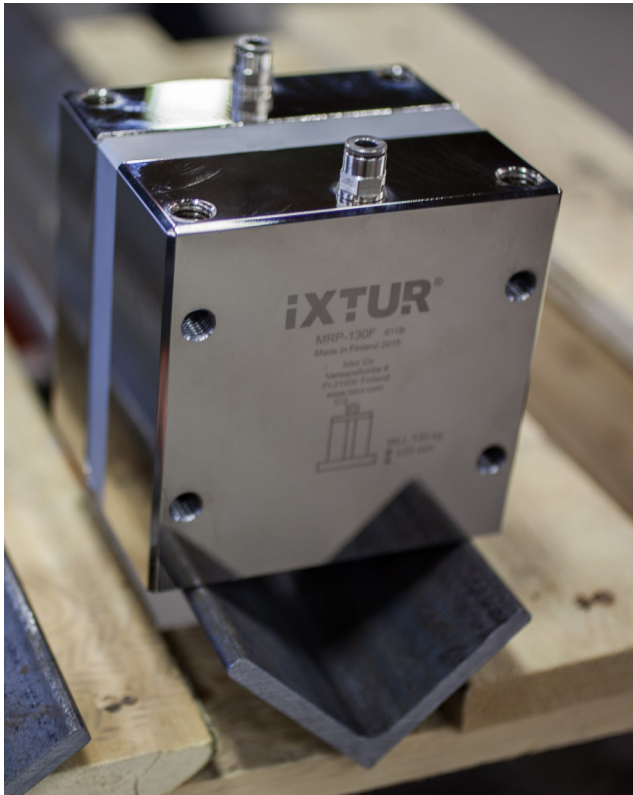


02/2017



**Ixtur MRP-130F is a pneumatically controlled neodymium permanent magnet that is suitable for gripping parts with different shapes.**

The magnet does not change its magnetic state in case of loss of compressed air.

Ixtur MRP magnets are maintenance-free and have a short cycle time, allowing high production speed and efficient automation.

MRP-130F is optimized for loads which are not in contact with the entire gripping area of the magnet. However, for proper gripping, it is necessary to at least partly touch both of the magnet's magnetic poles. Characteristics of MRP-130F make it versatile gripper for parts having irregular shape or rough surface like cast iron.

### TECHNICAL SPECIFICATIONS

Lifting capacity WLL [kg]	Gripping capacity [kg] [kN]	Residual gripping capacity, max. [kg]	Dimensions L x W x H [mm]	Weight [kg]	Operating temperature [°C]	Air pressure: functional range [bar]	Pneumatic hose outer diameter [mm]	Minimum cycle time [s]
130*	390* 3.8*	40**	120 x 103 x 120	9.5	0 ... 50	6 ... 8***	6.0	< 1

\* plate thickness  $\geq$  25 mm

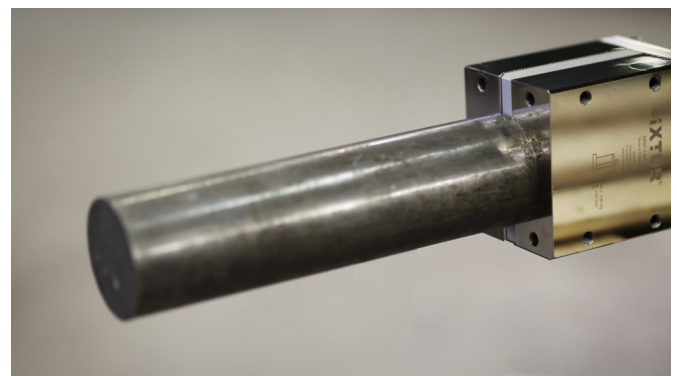
\*\* see the paragraph 'Residual gripping capacity' below

\*\*\* may require 6 bars to release the load when the load is thick and covers most of the gripping area of the magnet

Lifting capacity (WLL) is determined with a safety factor of 3.

### Residual gripping capacity

The residual gripping capacity, i.e. the gripping capacity when the magnet is OFF, varies based on the material and structure of the gripped part. In extreme cases, parts up to 40 kg may stay attached. The residual capacity is greatest as long as the part continuously stays in contact with the magnet after the magnet has been turned from ON to OFF. If the amount of residual capacity is critical to the application, pretesting with the actual part is recommended.



The magnet can be used in various applications: lifters, robot grippers, fixtures, production automation, etc.

More information: [www.ixtur.com](http://www.ixtur.com)

**Company** • Ixtur Ltd. is a Finnish magnet technology company established in 2010. Ixtur develops and manufactures permanent magnet based lifters, grippers and customer applications for machinery, welding, automation, robotics and material handling. Ixtur is focused on energy-efficient magnet components and applications.

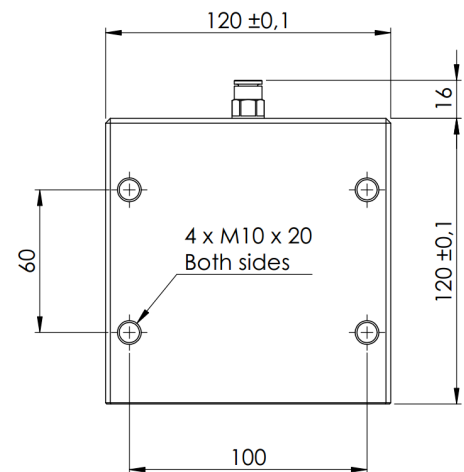
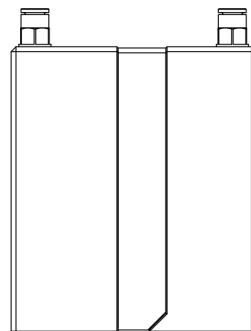
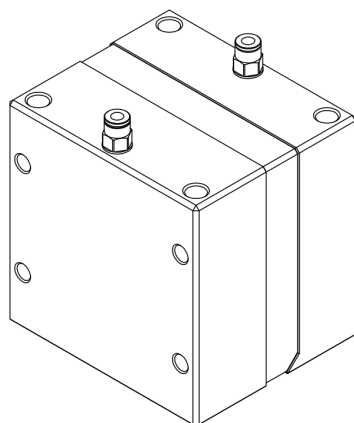
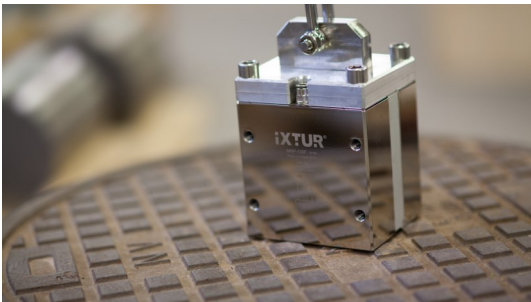
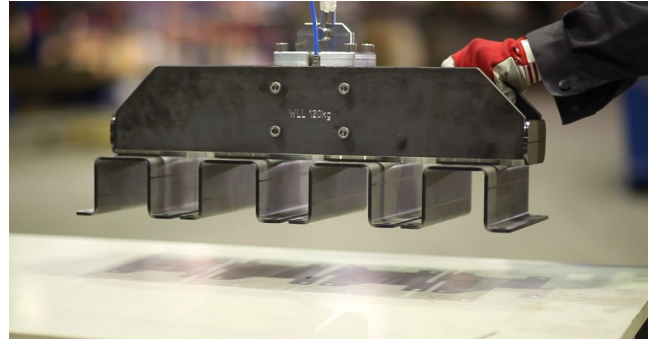
# iXTUR®

# MRP-130F

## Pneumatic Magnet

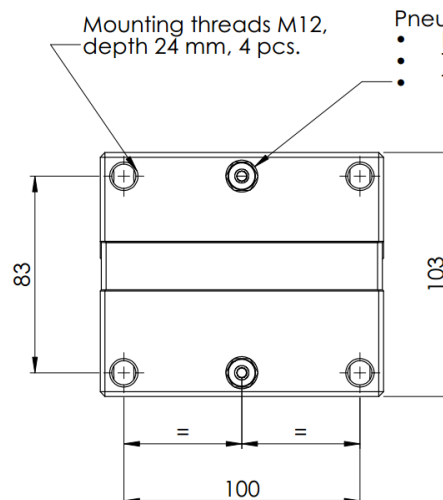
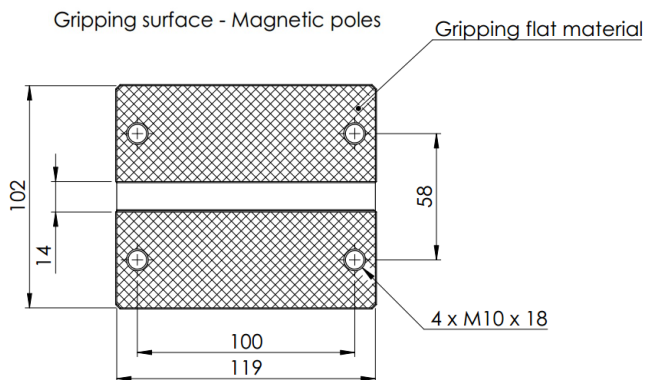
### Pole extensions

Threaded holes in the sides and bottom of the magnet enables use of pole extensions. The pole extensions can be used to lengthen or widen the magnet's gripping area to better fit onto the gripped load.



Mounting threads M12, depth 24 mm, 4 pcs.

- Pneumatic connections, 2 pcs.
- Rapid fittings for plastic tubing
  - Tube external dia 6 mm
  - Threads 1/8, depth 10 mm



**Company** • Ixtur Ltd. is a Finnish magnet technology company established in 2010. Ixtur develops and manufactures permanent magnet based lifters, grippers and customer applications for machinery, welding, automation, robotics and material handling. Ixtur is focused on energy-efficient magnet components and applications.

**IXTUR**<sup>®</sup>