

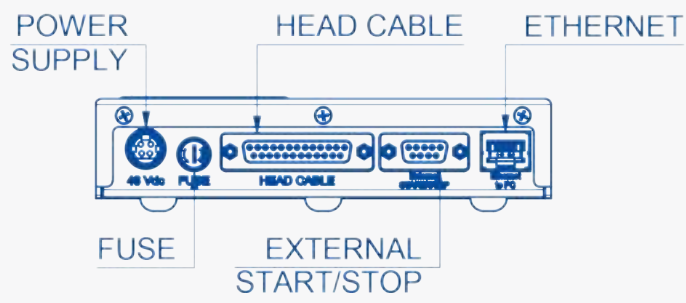
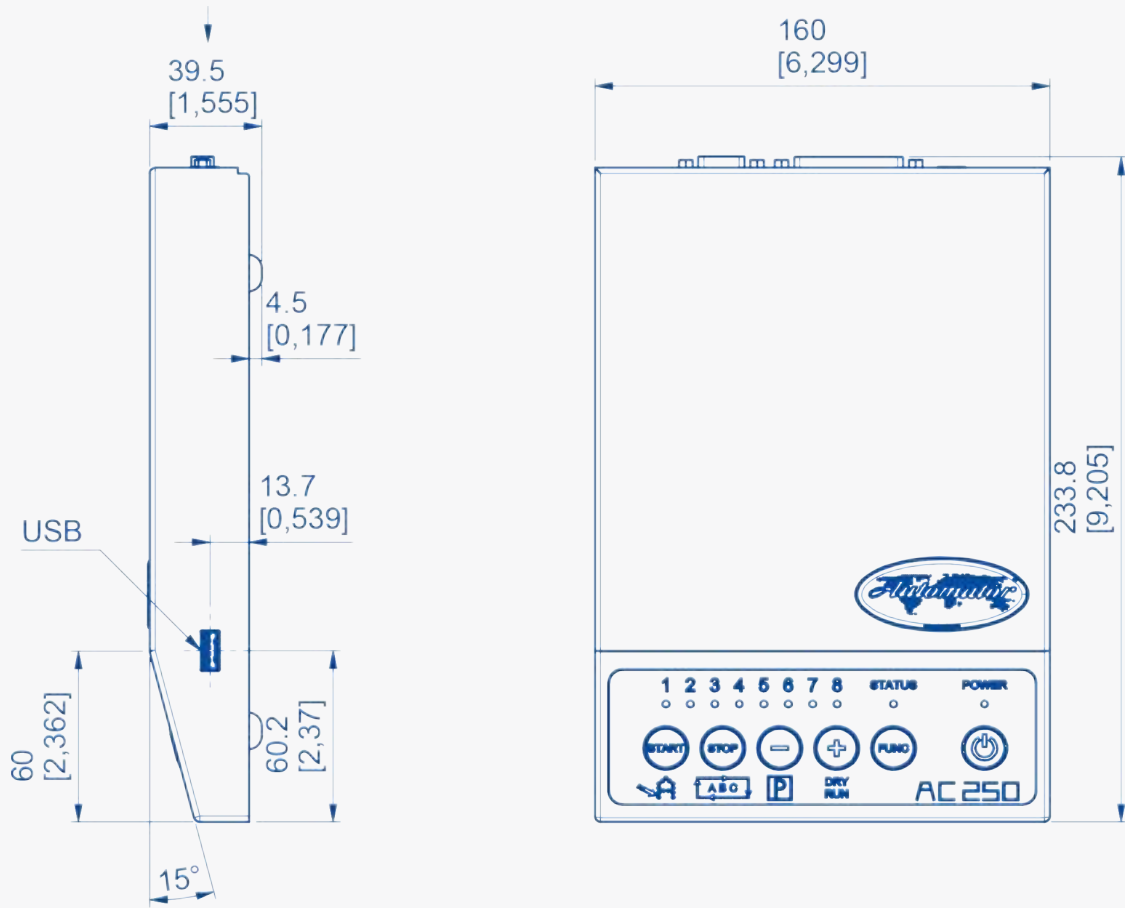
AC250

CONTROLLER FOR DOT PEEN

For all models



UNIVERSAL AND
COST-EFFECTIVE



Standard Certifications for USA: (International Technology Equipment Safety part I: general requirements, 609501) and Canada (International Technology Equipment Safety part I: general requirements Amendment 1:2011, Amd. 2:2014, CSA C22.2#60950-1)



The AC250 controller can be used with a PC or alone with the special Automator MarkAlone™ Up to 8 programs management.