

210 SERIES

Vertical Hold Down Clamps | Product Overview

Features:

- DESTACO® Toggle Lock Plus™ versions available
- Available in stainless steel
- Accommodates M10 or 3/8 spindle accessories
- 5 handle colors - see page MC-PRO-7 for details

Applications:

- Assembly & test
- Light machining
- Light welding

Also Available:

See page MC-ACC-1 for accessories
 810-U Pneumatic Toggle Clamp
 (See page MC-PTC-7)
 810-S Pneumatic Toggle Clamp
 (See page MC-PTC-7)

210-U/USS
 Flanged Base
 U-Bar



-USS Stainless Steel Model

210-S
 Flanged Base
 Solid Bar



210-UB
 Straight Base
 U-bar



210-SB
 Straight Base
 Solid Bar



210-UR
 Flanged Base
 U Bar

DESTACO®
 Toggle Lock
 Plus



210-SR
 Flanged Base
 Solid Bar
 DESTACO®
 Toggle Lock
 Plus



210-TU
 Flanged Base
 U Bar
 T-Handle



Color Handles

Available on models in this series that use standard red handles.* Add -Y, -G, -B, -K to end of model number.

*Excludes Blackout Series, Toggle Lock Plus levers or dipped handles.

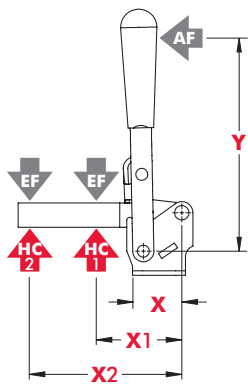


Technical Information

Model	Max. Holding Capacity	Clamp Bar Opening (+10°)	Handle Opening (+10°)	Weight	Accessories (Supplied)		
					Bolt Retainer	Spindle Assembly	Flanged Washers
210-U	2670 N [600 lbf]	103°	58°	[1.29 lbs] 0,59 kg	---	240208-M	235106
210-USS	[750 lbf]				---	237943-M	235906
210-S	3340 N				210114	237943-M	---
210-UB	2670 N [600 lbf]				---	240208-M	235106
210-SB	3340 N [750 lbf]			210114	---	---	
210-UR	2670 N [600 lbf]			---	240208-M	235106	
210-SR	3340 N [750 lbf]			210114	---	---	
210-TU	2670 N [600 lbf]			0,62 kg [1.36 lbs]	---	---	235106

210 SERIES

Vertical Hold Down Clamps | Holding Capacities

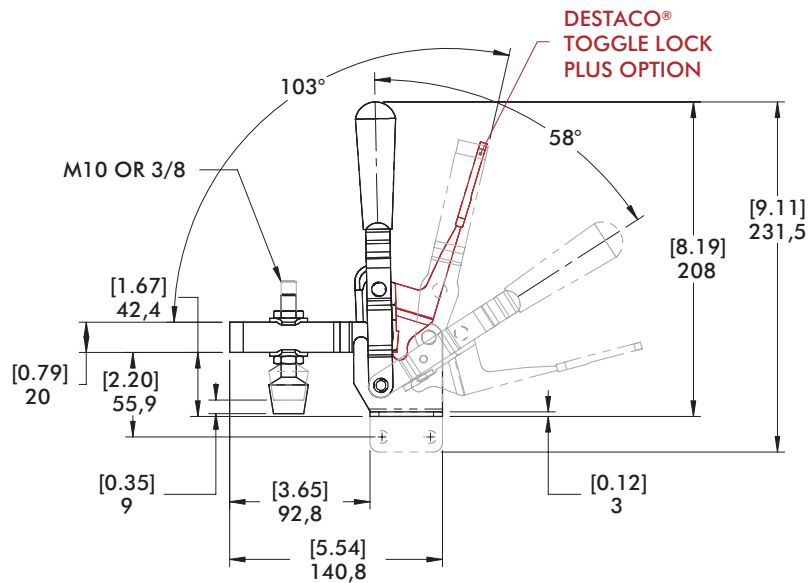
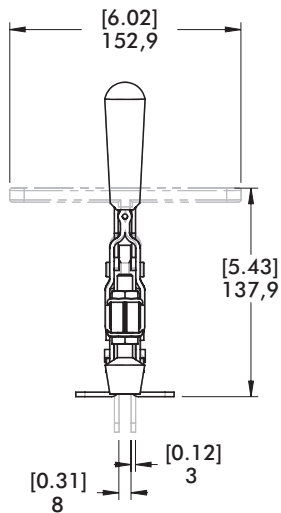
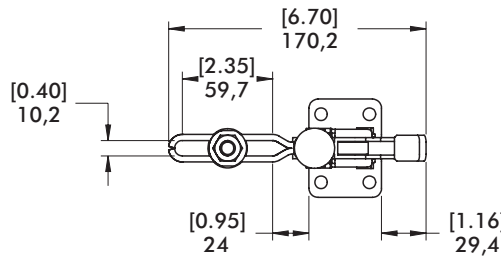


Model	X	X1	X2	Y	±HC1	±HC2	±EF(X1):AF	EF(X2):AF
U/UB/UR	[1.54] 39	[2.38] 60,5	[4.88] 124	[6.75] 171,5	[600 lbf] 2670 N	[290 lbf] 1290 N	14:1	7:1
USS		[3.62] 92,0	[5.25] 133	[4.50] 114,5	[750 lbf] 3340 N	[360 lbf] 1600 N		
S/SR/SB		[2.38] 60,5	[4.88] 124		[600 lbf] 2670 N	[290 lbf] 1290 N	11:1	9:1
TU								5:1

Dimensions shown "mm [inch]" ± HC = Holding Capacity, EF = Exerting Force, AF = Applied Force
See page MC-TEC-4 for additional information.

Dimensions | -U/-USS/-S/-UB/-SB/-UR/-SR/-TU

210-U Flanged Base U-Bar



210-SR Flanged Base Solid Bar with DESTACO® Toggle Lock Plus™

