

# F-160 SERIES

## Variable Stroke Straight Line Action Clamps | Technical Information | Dimensions

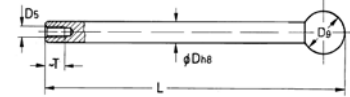


### Technical features:

- High holding capacity of [4040 lbf] 18000N lbs.
- High side load capacity
- Plunger guide
- Wiper ring avoiding contamination of clamping mechanism
- Block style base provides for variable mounting
- Low weight due to the aluminium housing
- 50 mm horizontal and vertical hole pattern

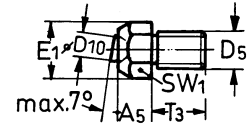
### Accessories (order separately)

#### Plunger



Part no.	For rapid stroke S	D <sub>H8</sub>	D <sub>5</sub>	D <sub>9</sub>	L ~	T ~	Weight ~ [lbs.] kg
16/100	100	16	M8	35	253	15	[0.90] 0,4
16/200	200	16	M8	35	353	15	[1.10] 0,5
16/300*	300	16	M8	35	453	15	[1.54] 0,7

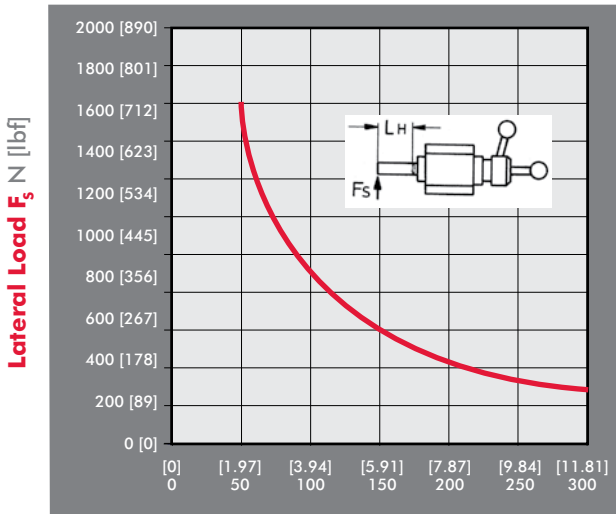
\*400 and 500 mm strokes available on request



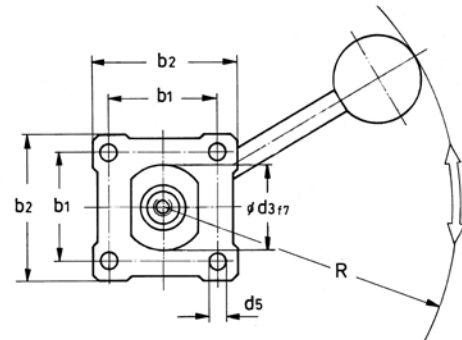
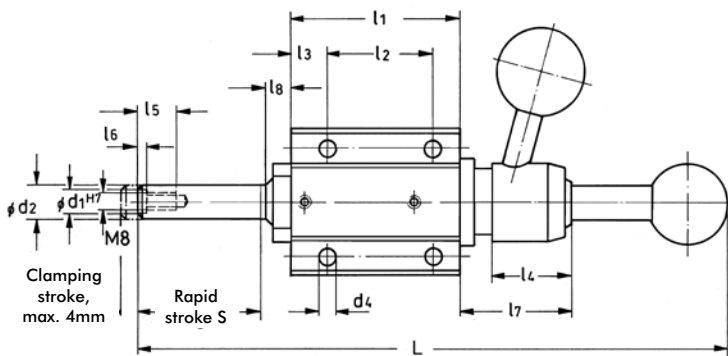
#### Swivel thrust pad

Part no.	Use with plunger diameter	A <sub>5</sub>	D <sub>5</sub>	D <sub>10</sub>	E <sub>1</sub>	T <sub>3</sub>	SW <sub>1</sub>
K-508	8	6	M5	5	9,2	8	8
K-612	12	8,5	M6	6	12,5	10	11
K-816	16	10	M8	8	14,8	14	13
K-1222	22	12	M12	9,5	19,5	18	17

Allowable side load F<sub>s</sub> depending on the stroke length L<sub>H</sub>



Stroke Length L<sub>H</sub> mm [in]



Part no. without plunger	Max. holding cap. [lbs.] N	F <sub>s</sub> * [lbs.] N	~L																Weight ~ [lbs.] kg			
			b <sub>1</sub>	b <sub>2</sub>	For rapid strokes:			11	12	13	14	15	16	17	18	d <sub>1</sub> <sup>H7</sup>	d <sub>2</sub> <sup>H8</sup>	d <sub>3</sub>		d <sub>4</sub>	d <sub>5</sub>	R
F-160	[4040] 18000N	[1124] 5000N	50	68	250	350	451	80	50	18	35	20	2	50	12	10	16	40	8,3	8,5	165	[3.30] 1,5

\*F<sub>s</sub>=exerting force at an operating force of [22lbf] 100N.