

330, 351, 371, 381 SERIES

Pull Action Latch Clamps | Product Overview

Features:

- J-hook style latch clamps are supplied with threaded J-hooks for easy adjustment
- Supplied with patented thumb control lever for one handed operation
- DESTACO® Toggle Lock Plus™ versions available
- Stainless steel version available as **-SS** models
- 5 handle colors - see page MC-PRO-7 for details

Applications:

- Molding
- Closures for doors, lids, covers
- Assembly

Also Available:

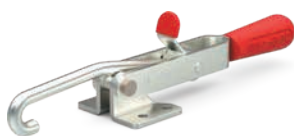
- Clamps with longer hooks available Upon Request that are 25mm, 50mm, 100mm longer than standard length
- To order clamp with longer hook, add **-M-25**, **-M-50**, or **-M-100** to the end of the model. Example: 330-**M-50**

Covered under one or more U.S./International Patents

330
330-SS



351
351-SS



351-B
351-BSS
Narrow Base



351-R
351-RSS
with DESTACO®
Toggle Lock
Plus™



371
371-SS



371-R
371-RSS
with DESTACO®
Toggle Lock
Plus™



381
381-SS



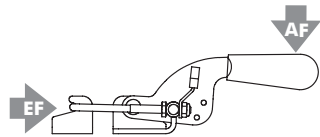
Color Handles

Available on models in this series that use standard red handles.* Add **-Y**, **-G**, **-B**, **-K** to end of model number.

*Excludes Toggle Lock Plus levers or dipped handles.



Technical Information | Holding Capacities



Model	Max. Holding Capacity	Weight	EF:AF	Max. Drawing Movement*	Replacement Hook Assembly	Hook Adj. Range
330	[200 lbf] 900 N	[0.24 lbs] 0,11 kg	17:1	[2.35] 59,7	330215	[0.29] 7,4
330-SS					330915	
351	1670 N [375 lbf]	[0.61 lbs] 0,28 kg	21:1	[4.00] 101,6	351215	[0.49] 12,4
351-SS	2000 N [450 lbf]				351915	
351-B	[375 lbf] 1670 N	[0.8 lbs] 0,36 kg			351215	
351-BSS					351915	
351-R					351215	
351-RSS					351915	
371	[750 lbf] 3340 N	[1.53 lbs] 0,69 kg	36:1	[5.38] 136,7	371215	[0.94] 23,9
371-SS					371915	
371-R		[1.88 lbs] 0,85 kg			371215	
371-RSS					371915	
381	[1000 lbf] 4450 N	[2.56 lbs] 1,16 kg	37:1	[6.13] 155,7	381215	[1.17] 29,7
381-SS					381915	

EF = Exerting Force, AF = Applied Force

*See page MC-PAL-4 and 5 for dimensions with and without thumb control lever.

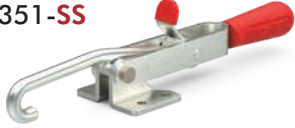
330, 351, 371, 381 SERIES

Pull Action Latch Clamps | Dimensions | -SS/-B/-BSS

330
330-SS



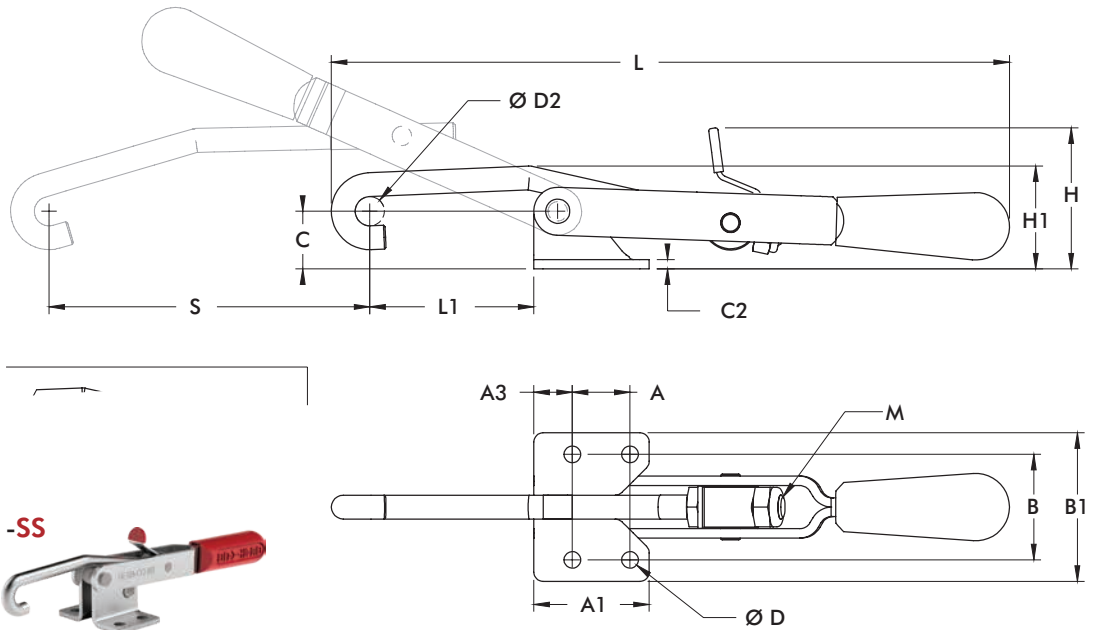
351
351-SS



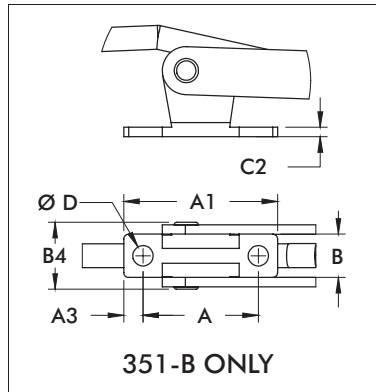
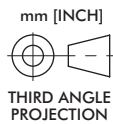
371
371-SS



381
381-SS



351-B
351-BSS
Narrow Base



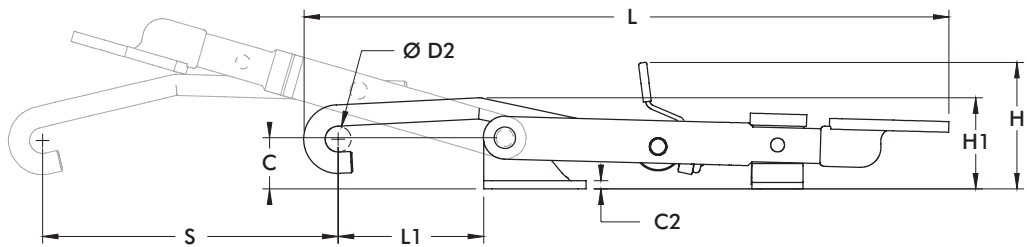
Model	A	A1	A3	B
330	[0.50] 12,7	[1.00] 25,4	[0.25] 6,4	[1.22] 30,9
330-SS				
351	[0.75] 19,1	[1.50] 38,1	[0.50] 12,7	[1.37] 34,8
351-SS				
351-B	[1.50] 38,1	[2.00] 38,1	[0.25] 6,4	[0.56] 14,3
351-BSS				
371	[1.25] 31,8	[1.94] 49,2	[0.34] 8,7	[1.94] 49,2
371-SS				
381	[1.13] 28,6	[2.13] 54,1	[0.50] 12,7	[2.37] 60,3
381-SS				

Model	B1	B4	C	C2	ØD	ØD2	H	H1	L	L1 Max	M	S	T
330	[1.69] 42,9	-	[0.56] 14,2	[0.12] 3,1	[0.22] 5,6	[0.32] 8,1	[1.43] 36,2	[0.89] 22,6	[6.01] 152,7	[1.70] 43,3	M5	[2.35] 59,7	[1.50] 38,1
330-SS													
351	[1.93] 49,1	-	[0.75] 19,1	[0.12] 3,1	[0.22] 5,5	[0.38] 9,7	[1.83] 46,6	[1.34] 34	[8.82] 224	[2.13] 54,2	M8	[4.00] 101,6	[2.75] 69,8
351-SS													
351-B	-	[0.87] 22,1	[0.86] 21,8	[0.12] 3,1	[0.27] 6,7	[0.50] 12,7	[1.94] 49,3	[1.45] 36,8		[1.63] 41,4			
351-BSS													
371	[2.63] 66,7	-	[1.42] 36,1	[0.16] 4	[0.34] 8,7	[0.50] 12,7	[2.58] 65,6	[2.23] 56,5	[11.89] 302	[2.81] 71,5	M10	[5.38] 136,7	[4.18] 106,2
371-SS													
381	[3.38] 85,9	-	[1.81] 46	[0.19] 4,7	[0.41] 10,3	[0.62] 15,7	[2.90] 73,6	[2.71] 68,8	[13.45] 341,7	[3.13] 79,5	M12	[6.13] 155,7	[4.69] 119,1
381-SS													

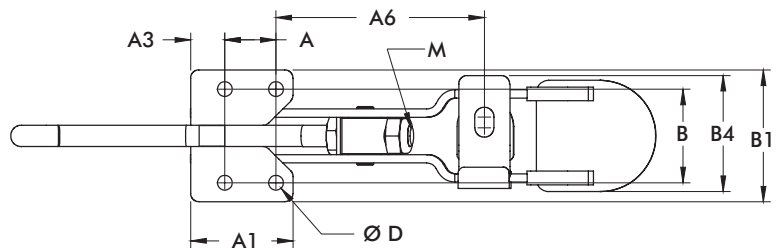
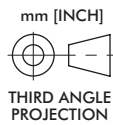
351-R, 371-R SERIES

Pull Action Latch Clamps | Dimensions

351-R
351-RSS
 with DESTACO®
 Toggle Lock
 Plus™

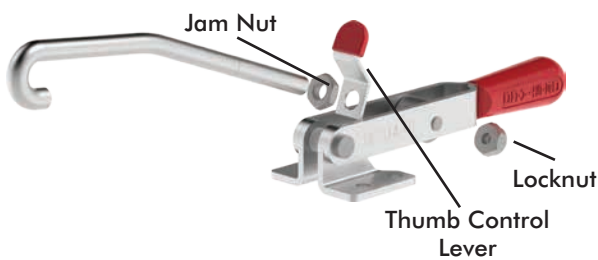


371-R
371-RSS
 with DESTACO®
 Toggle Lock
 Plus™



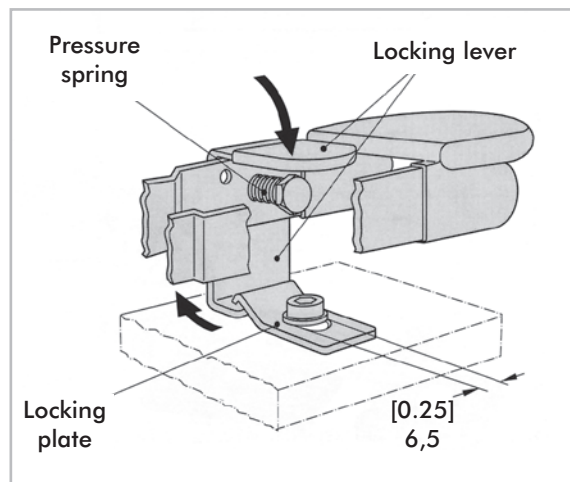
Model	A	A1	A3	A6	B	B1	B4	C	C2	ØD	H	H1
351-R	[0.75]	[1.50]	[0.50]	[3.06]	[1.37]	[1.93]	[1.70]	[0.75]	[0.12]	[0.22]	[1.85]	[1.34]
351-RSS	19,1	38,1	12,7	77,7	34,8	49,1	19,1	19,1	3,1	5,5	47,1	33,9
371-R	[1.25]	[1.94]	[0.34]	[4.73]	[1.94]	[2.63]	[2.25]	[1.42]	[0.16]	[0.34]	[2.65]	[2.22]
371-RSS	31,8	49,2	8,7	120,1	49,2	66,7	57,2	36,1	4	8,7	67,4	56,3

Model	L	L1	M	S
351-R	[9.45]	[2.13]	M8	[4.33]
351-RSS	240	54,2		110
371-R	[12.74]	[2.81]	M10	[5.59]
371-RSS	323,6	71,4		142



For added convenience, DESTACO Pull Action Toggle Clamps are supplied with a thumb control lever.

Replacement Thumb Control Lever	Used on Clamp Model
330-ZB1	330
351-ZB1	351, 351-B, 351-R, 351-SS, 351-RSS
371-ZB1	371, 371-R, 371-SS, 3&1-RSS
381-ZB1	381, 381-SS



Model 351-R, 351-RSS, 371-R, 371-RSS

Information concerning the assembly and function of the clamps locking mechanism

The locking plate which is supplied with the unit must be fastened with a screw (M6 or 1/4-20) as shown in this illustration. The screw head should be flat.

Function

When closing the latch clamp, the locking lever engages automatically. Actuate the locking lever to open the clamp.

330, 351, 371, 381 SERIES

Pull Action Latch Clamps | Replacement Hook Assembly Dimensions

Replacement Hook Assembly	Used on Clamp Model	A1	A2	B	ØC	M	Material
330215	330	[2.00] 50,8	[1.50] 38,1	[0.75] 19,1	[0.32] 8,1	M5 x 0.8	Steel
330215-M-25 ⓘ	330-M-25	[3.00] 76,2					
330215-M-50 ⓘ	330-M-50	[4.00] 101,6					
330215-M-100 ⓘ	330-M-100	[6.00] 152,4					
330915	330-SS	[2.00] 50,8					
330915-M-25 ⓘ	330-SS-M-25	[3.00] 76,2					
330915-M-50 ⓘ	330-SS-M-50	[4.00] 101,6					
330915-M-100 ⓘ	330-SS-M-100	[6.00] 152,4	[3.38] 85,9	[1.63] 41,4	[0.38] 9,6	M8 x 1.25	Steel
351215	351, 351-B, 351-R	[2.09] 53,1					
351215-M-25 ⓘ	351-M-25 351-B-M-25 351-R-M-25	[3.09] 78,5					
351215-M-50 ⓘ	351-M-50 351-B-M-50 351-R-M-50	[4.09] 103,9					
351215-M-100 ⓘ	351-M-100 351-B-M-100 351-R-M-100	[6.09] 154,7					
351915	351-SS, 351-RSS	[2.09] 53,1					
351915-M-25 ⓘ	351-SS-M-25 351-RSS-M-25	[3.09] 78,5					
351915-M-50 ⓘ	351-SS-M-50 351-RSS-M-50	[4.09] 103,9					
351915-M-100 ⓘ	351-SS-M-100 351-RSS-M-100	[6.09] 154,7					
371215	371, 371-R	[2.94] 74,7					[4.16] 105,7
371215-M-25 ⓘ	371-M-25 371-R-M-25	[3.94] 100					
371215-M-50 ⓘ	371-M-50 371-R-M-50	[4.94] 125,5					
371215-M-100 ⓘ	371-M-100 371-R-M-100	[6.94] 176,3					
371915	371-SS, 371-RSS	[2.94] 74,7					
371915-M-25 ⓘ	371-SS-M-25, 371-RSS-M-25	[3.94] 100					
371915-M-50 ⓘ	371-SS-M-50 371-RSS-M-50	[4.94] 125,5					
371915-M-100 ⓘ	371-SS-M-100 371-RSS-M-100	[6.94] 176,3					
381215	381	[3.00] 76,2	[4.63] 117,6	[2.50] 63,5	[0.62] 15,8	M12 x 1.75	Steel
381215-M-25 ⓘ	381-M-25	[4.00] 101,6					
381215-M-50 ⓘ	381-M-50	[5.00] 127					
381215-M-100 ⓘ	381-M-100	[7.00] 177,8					
381915	381-SS	[3.00] 76,2					
381915-M-25 ⓘ	381-SS-M-25	[4.00] 101,6					
381915-M-50 ⓘ	381-SS-M-50	[5.00] 127					
381915-M-100 ⓘ	381-SS-M-100	[7.00] 177,8					

ⓘ This item is available upon request.

