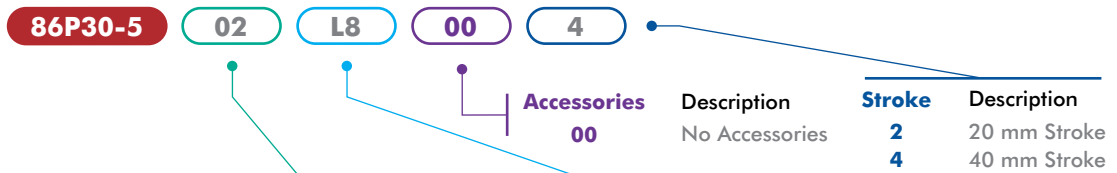


86P30-5

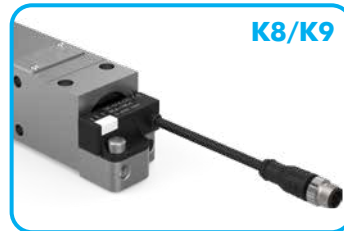
Pneumatic Pin Package | Single Shaft | Ordering and Technical Information



Piston Rod	Description
02	Ø16 mm M6 Threaded Inside Hole, Cross Groove
05	Ø10 mm M8 Threaded Inside Hole, Cross Groove



Sensor	Description
L8	PNP Sensor with In-line M12x1 Connector (8EA-146-4)
N8	NPN Sensor with In-line M12x1 Connector (8EA-154-4)
L9	PNP Sensor with 90° M12x1 Connector (8EA-147-4)
N9	NPN Sensor with 90° M12x1 Connector (8EA-155-4)
K8	PNP Sensor with M12x1 Cable Connector (8EA-158-4)
K9	NPN Sensor with M12x1 Cable Connector (8EA-167-4)



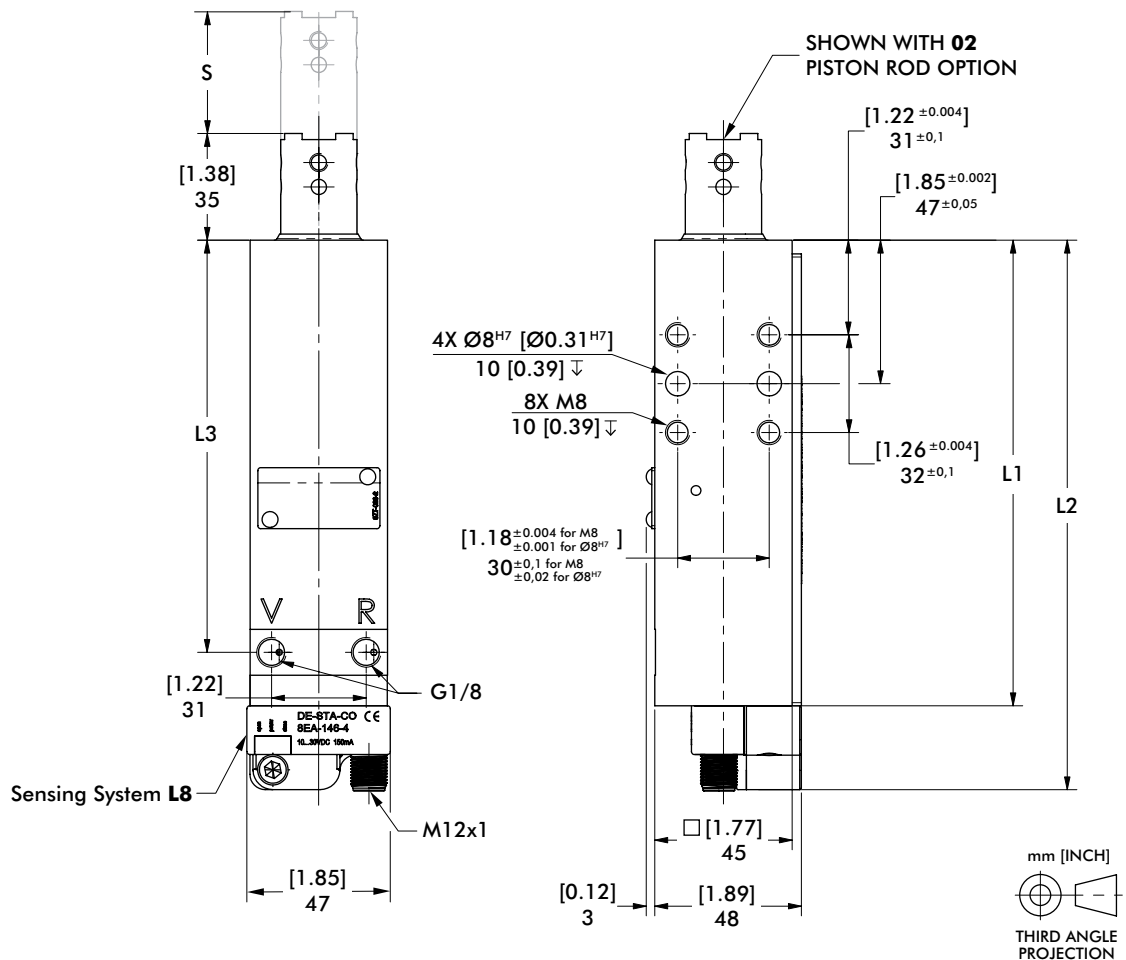
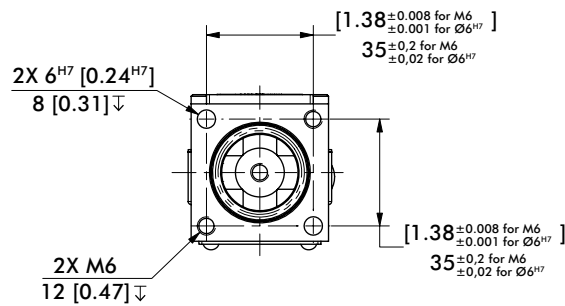
Sensor Cables Order separately

Order No.	Description
8EL-002-1	M12x1, Straight, 5-pin Connector with 5 m [16 ft.] Cable
8EL-003-1	M12x1, Angular, 4-pin Connector with 5 m [16 ft.] Cable

86P30-5

Stroke Option: **2, 4**
 Max Pushing Force at 5 bar [72 psi]: 340 N [76 lbf]
 Max Retracting Force at 5 bar [72 psi]: 250 N [56 lbf]

Pneumatic Pin Package | Single Shaft | Dimensions and Technical Specifications



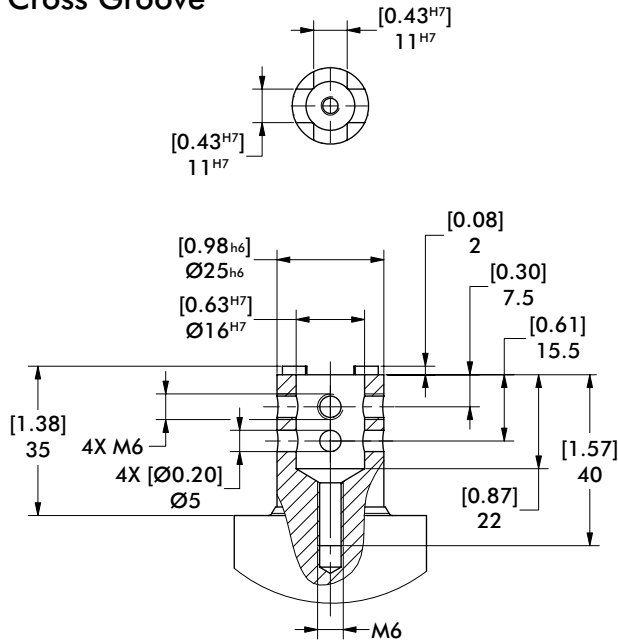
Medium: Operation with oil free air permissible

Base Model	Stroke Option	S Stroke mm [in]	L1 mm [in]	L2 mm [in]	L3 mm [in]	Pushing force at 5 bar N [lbs]	Retraction force at 5 bar N [lbs]	Max. operating pressure bar [psi]	Piston Ø mm [in]	Weight Kg [lbs]	Air consumption per double stroke at 5 bar dm ³ [ft ³]
86P30-5	2	20 [0.79]	112,5 [4.43]	140 [5.51]	95 [3.74]	340 [76]	250 [56]	6 [87]	30 [1.18]	0,8 [1.76]	0,32 [0.011]
	4	40 [1.57]	152,5 [6.00]	180 [7.09]	135 [5.30]	340 [76]	250 [56]	6 [87]	30 [1.18]	1 [2.20]	0,45 [0.015]

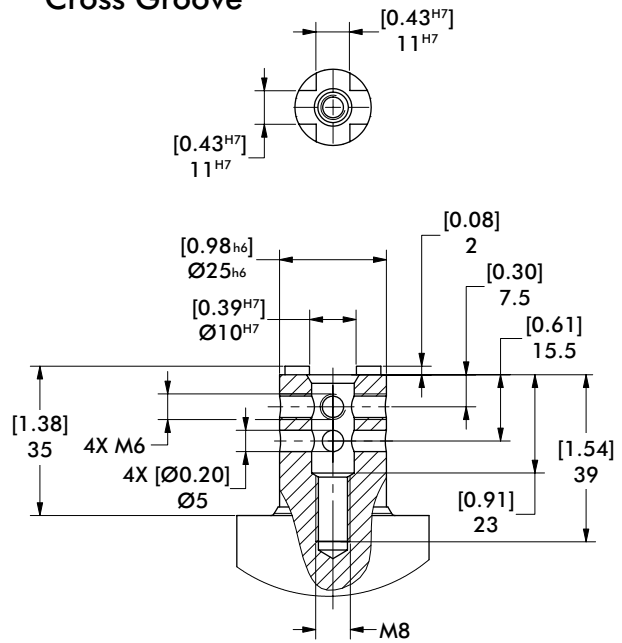
86P30-5 PISTON RODS

Pneumatic Pin Package | Single Shaft | Dimensions and Technical Specifications

02 Ø16 mm M6 Threaded Inside Hole, Cross Groove

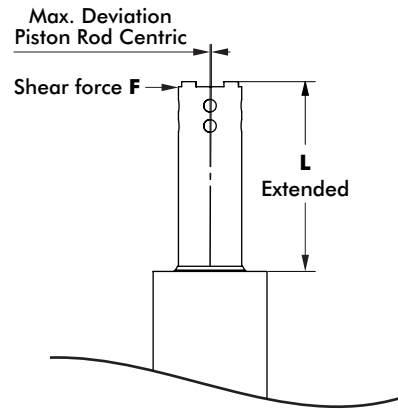


05 Ø10 mm M8 Threaded Inside Hole, Cross Groove

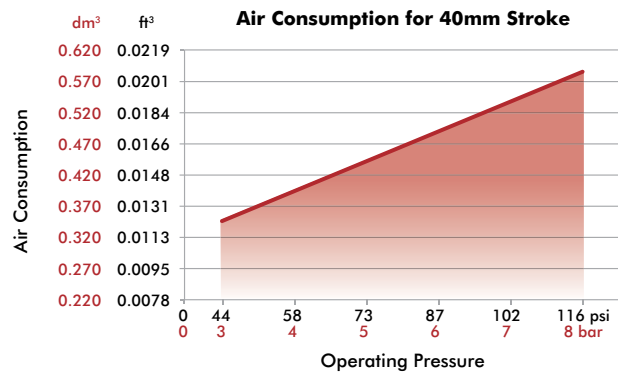
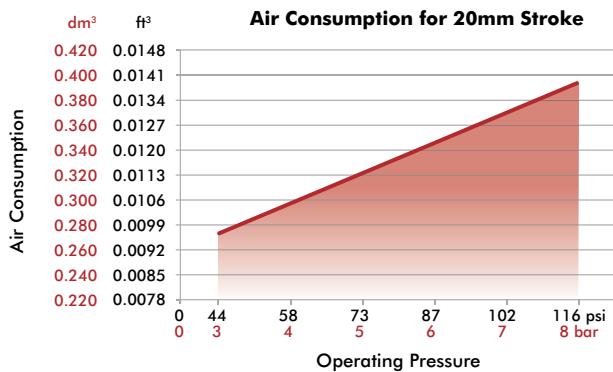


Max Deflection for Centering Pin

Model no.	Shear force N [lbs]	L mm [in]	Stroke mm [in]	Deflection ± mm [in]
86P30-50***004	200 [45]	75 [2.95]	40 [1.58]	0,12 [0.0047]
	150 [34]			0,10 [0.0039]
	100 [22]			0,08 [0.0031]
	75 [17]			0,06 [0.0023]
86P30-50***002	200 [45]	55 [2.17]	20 [0.79]	0,07 [0.0027]
	150 [34]			0,06 [0.0023]
	100 [22]			0,06 [0.0023]
	75 [17]			0,05 [0.0019]



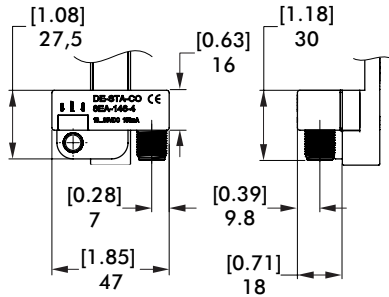
Angle Deviation and Air Consumption



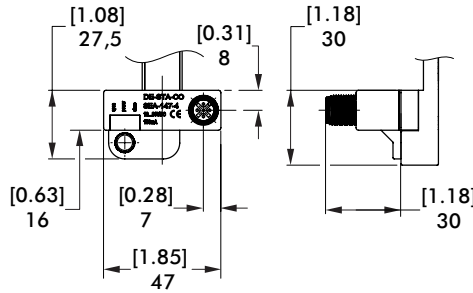
86P30-5 SENSORS

Pneumatic Pin Package | Single Shaft | Dimensions and Technical Specifications

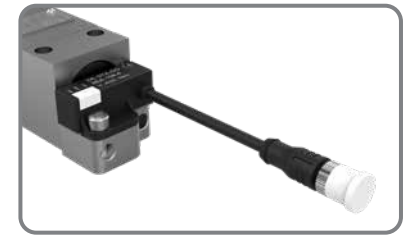
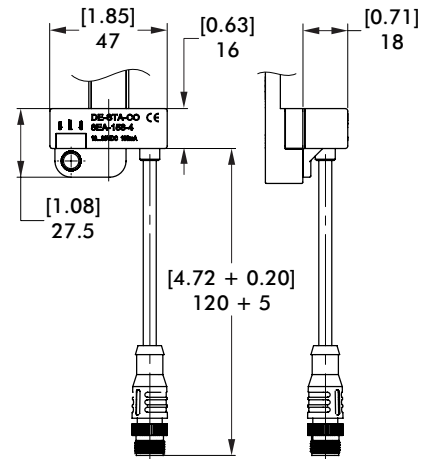
L8, N8 Inductive Sensing System



L9, N9 Inductive Sensing System with 90° Connector

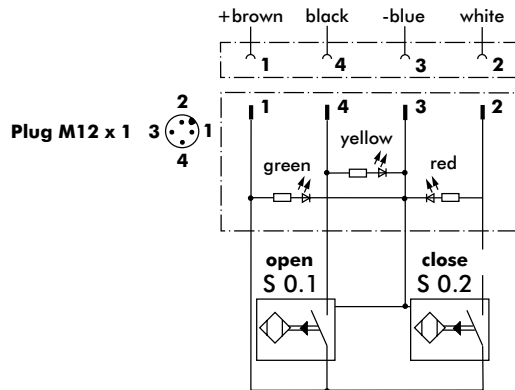


K8, K9 Inductive Sensing System with Pigtail Connector



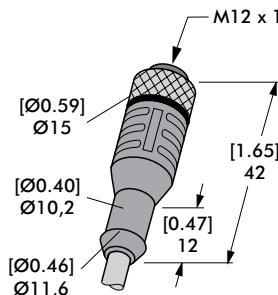
Inductive Sensor Wiring Diagram

Sensing system immune to interference from AC / DC arc welding.

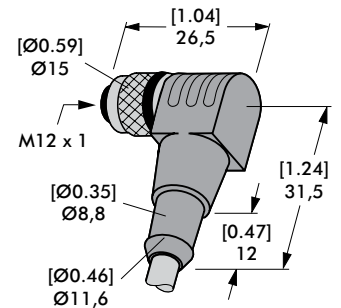


Sensor Cable Accessories

Sensor Cables (1 connector & 5m cable)	Order no.
M12x1 connector, straight, 5-pin	8EL-002-1
M12x1 connector, 90° angular, 4-pin	8EL-003-1



Straight Cable
8EL-002-1



Angular Cable
8EL-003-1