

# GTS SERIES

Accelerate® Tooling Collection | Dimensions

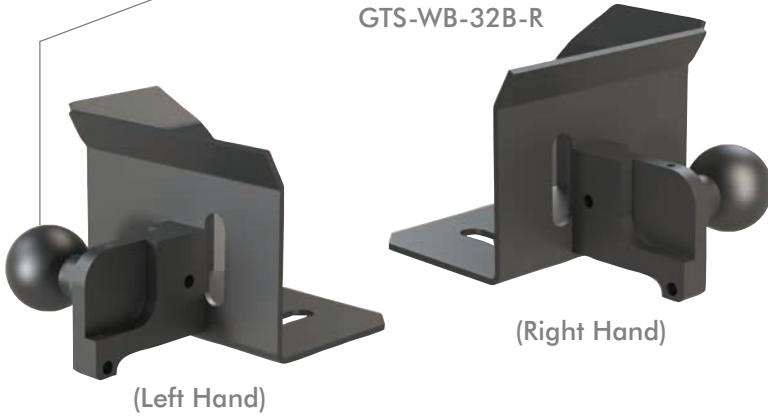
## GTS-100 32mm Ball 80mm Shovel



### Optional spare parts

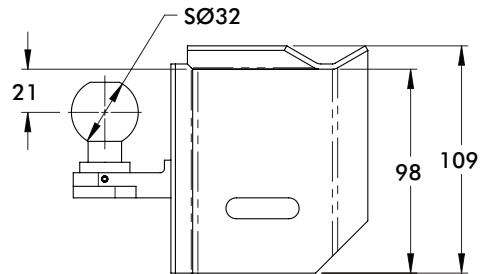
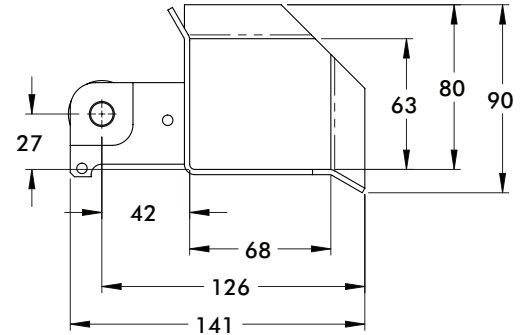
28.58mm Ball  
GTS-WB-B112-L  
GTS-WB-B112-R

32mm Ball  
GTS-WB-32B-L  
GTS-WB-32B-R



(Left Hand)

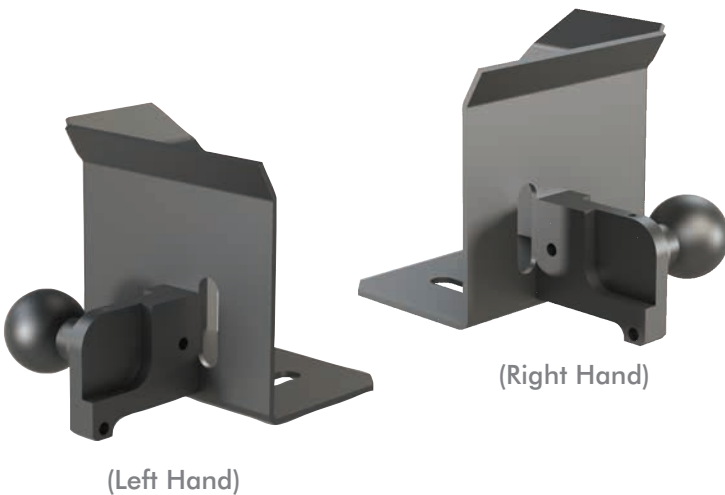
(Right Hand)



Material: Steel

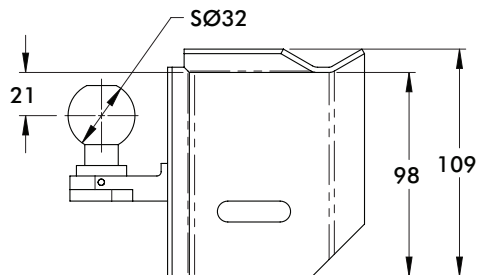
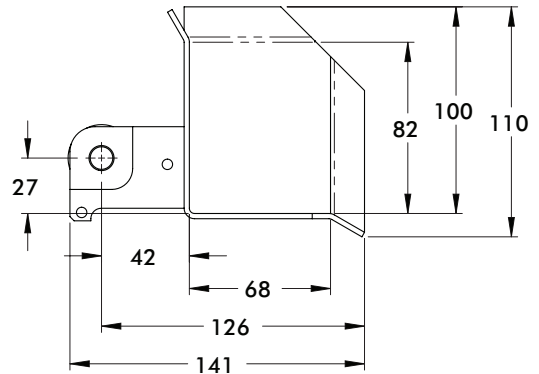
Model Number	Weight
GTS-100-85-80LH-A	656g [1.45 lb]
GTS-100-85-80RH-A	

## GTS-100 32mm Ball 100mm Shovel



(Left Hand)

(Right Hand)



Material: Steel

Model Number	Weight
GTS-100-85-100LH-A	730g [1.61 lb]
GTS-100-85-100RH-A	