



MB2

NUMBERING HEADS

FOR IMPACT, HOT AND ROLL MARKING

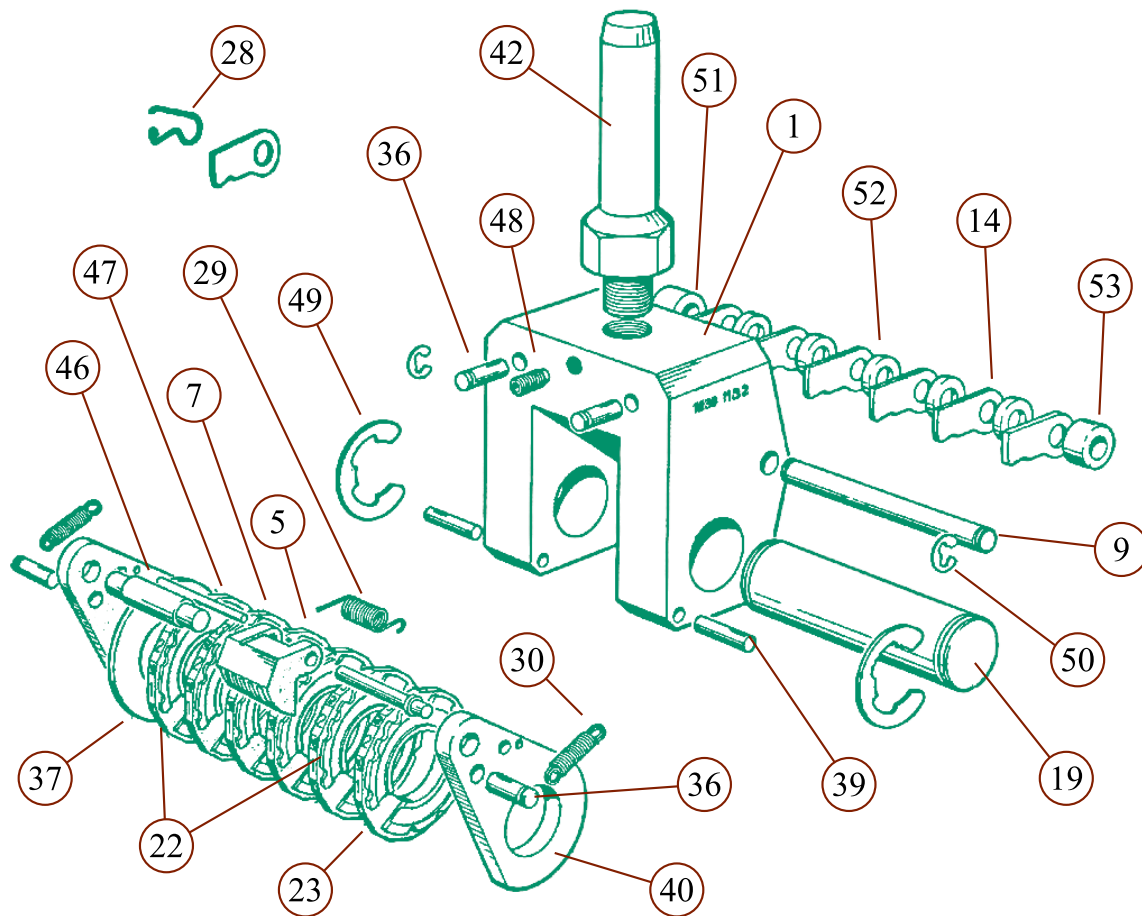
Automatic numbering head MB2 for marking progressive numbers with unit increase each shot. Engraving of the wheels with numbers, letters, sign and special logos, in standard, half condensed and condensed style. It's possible to mix automatic (B2) and manual (B14) wheels.

MB2

Incision Height (mm)

	Etroit Demi etroit Standard	2,5 2	3 2,5 2	4 3 2,5	5 4 3	6 5 4	8 6 5	10 8 6	10 8 10	
2		3,7	5	6	7	9	11	13	17	21
3		5,9	8	9,5	11	14	17	20	26	32
4		8,1	11	13	15	19	23	27	35	43
5		10,3	14	16	19	24	29	34	44	54
6		12,5	17	20	23	29	35	41	53	65
7		14,7	20	23,5	27	34	41	48	62	76
8		16,9	23	27	31	39	47	55	71	87
9		19,1	26	30,5	35	44	53	62	80	98
10		21,3	29	34	39	49	59	69	89	109
11		23,5	32	37,5	43	54	65	76	98	120
12		25,7	37	41	47	59	71	83	107	131
More wheels available										

Consult the company



MB2	
Body	1
Release level spindle	9
Release lever	14
Wheel spindle	19
Wheel	22
Lever springs	28
Spacing ring	37
Shank	42
Blocking screw	48
Retaining rings	49-0
Spacing ring	51-3

	MB2
Shaft	5
Pawl	7
Unit	23
Spring	29
Yoke spring	30
Pins	36-9
Yokes	40
Lever rod	46
Spring pin	47



MB14

NUMBERING HEADS

FOR IMPACT, HOT AND ROLL MARKING

Numbering head MB14 with levers for manual marking of numbers. Engraving of the wheels with numbers, letters, sign and special logos, in standard, half condensed and condensed style. It's possible to mix automatic (B2) and manual (B14) wheels.

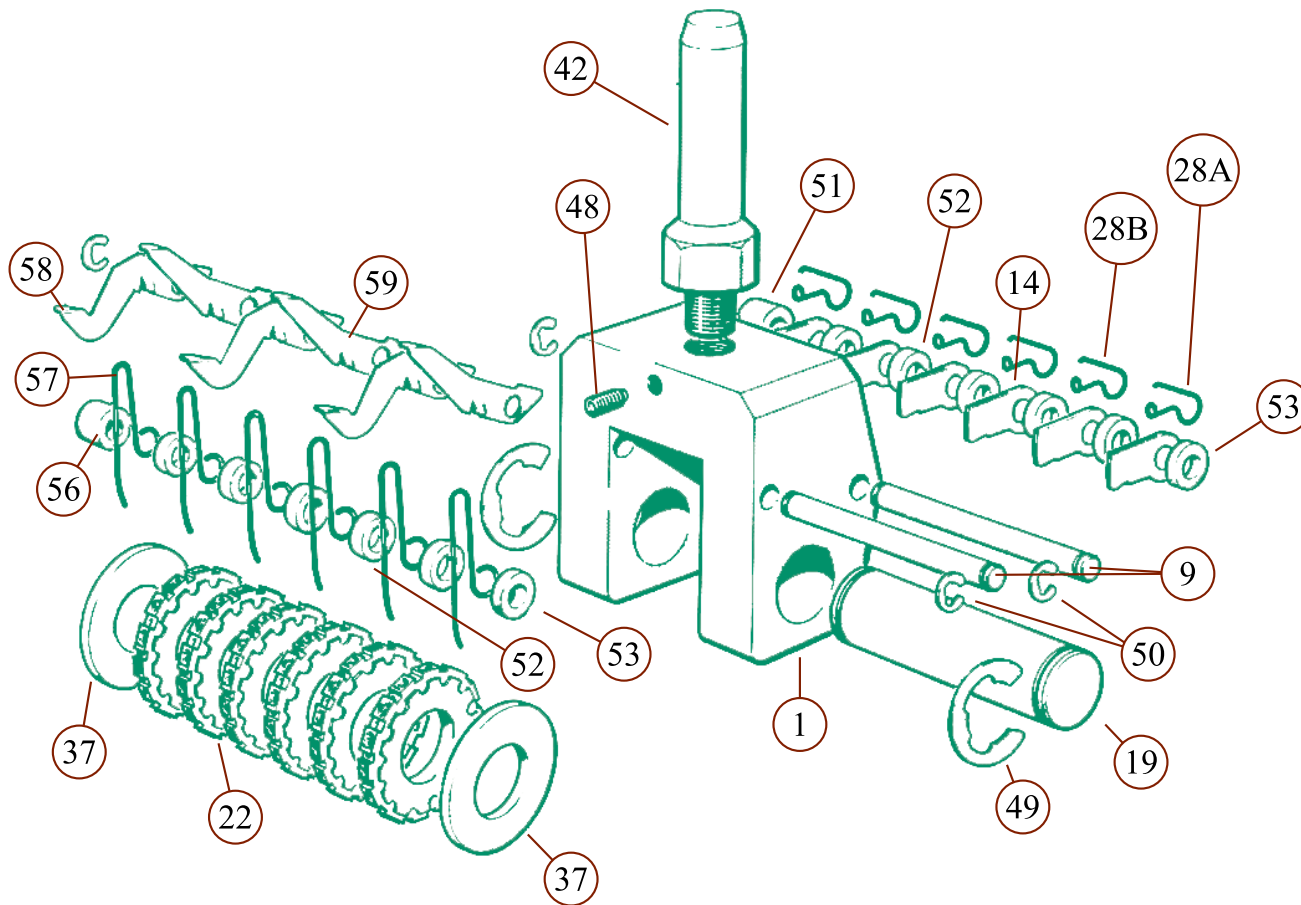
MB14

Incision Height (mm)

Standard	2,5	3	4	5	6	8	10	
	2	2,5	3	4	5	6	8	10
	1,5	2	2,5	3	4	5	6	8
2	4	5	6	7	9	11	13	17
3	6,5	8	9,5	11	14	17	20	26
4	9	11	13	15	19	23	27	35
5	11,5	14	16	19	24	29	34	44
6	14	17	20	23	29	35	41	53
7	16,5	20	23,5	27	34	41	48	62
8	19	23	27	31	39	47	55	71
9	21,5	26	30,5	35	44	53	62	80
10	24	29	34	39	49	59	69	89
11	26,5	32	37,5	43	54	65	76	98
12	29	35	41	47	59	71	83	107

More wheels available

Consult the company



MB14	
Body	1
Release level spindle	9
Release lever	14
Wheel spindle	19
Wheel	22
Lever springs	28
Spacing ring	37
Shank	42
Blocking screw	48
Retaining rings	49-0
Spacing ring	51-3

MB14	
Medium wheels	56
Control spring	57
Inferior lever	58
Superior lever	59

NUMBERING HEADS

1,5-2-2,5-3 MM

FOR IMPACT

Manual numbering head with wheels up to 3 mm character height.
Easy regulation of the numbering through pulling shaft.



MB5